

Interactive Pen Display

DTU-1631

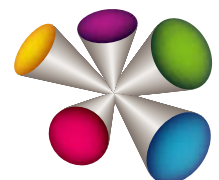
- 15.6" wide format
- WXGA resolution
- EMR technology



Wacom's compact interactive pen display with a wide format screen

- Work directly on screen with the cordless, battery-free pen
- Compact 15.6" wide format LCD display
- WXGA (1366 x768) pixel resolution
- Ideal for education/presentation, medical and eDocuments markets
- Both analog RGB and DVI input and video input

15.6 inch Wide	1366*768 widescreen	16.77M colors	DVI or Analog RGB Video in	DVI or Analog RGB Video out	Electro Magnetic Resonance Technology	Data interface USB
-------------------	------------------------	------------------	----------------------------------	-----------------------------------	---	--------------------------



wacom®

DTU-1631



Features

15.6" wide display with WXGA resolution

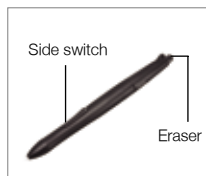
The LCD panel offers a compact 15.6" working area with WXGA (1366x768) resolution. The wide form factor pairs beautifully with all PCs and can be used as a secondary monitor or connected to a projector for interactive presentations.

The natural and comfortable way to work

Work directly on screen with the Wacom pen. Use your hand eye coordination to naturally annotate presentations, mark-up and sign documents, draw and write handwritten notes. The comfort of working directly on screen makes it the perfect solution for the medical, education, presentation, and eDocuments markets.

The multi-functional pen

The DTU-1631 uses patented EMR technology and a cordless, battery-free pen. The lightweight pen is incredibly durable and includes a tether to prevent loss. The two side-switches on the pen can be customized to perform often-used tasks such as right-click, double-click, scroll, keystroke shortcuts, and many more.



Excellent pen performance

In addition to the customizable switches, the pen delivers 512 levels of pressure sensitivity. Press lightly for thin lines and more heavily for thicker lines, just like a regular pen or marker. This great pen performance allows your drawings to look more natural and your handwritten notes to be more readable.

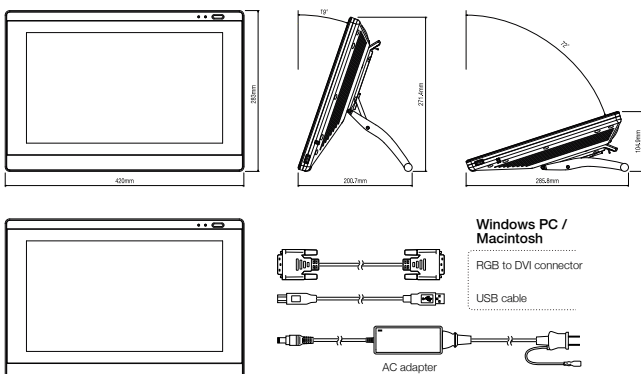


Adjust to the best position

The adjustable stand can be set to incline from 19° to 72 degrees. You can quickly and easily find the best working angle for your particular work situation. The unit includes a standard VESA mount that will attach to any of the mechanical arms that are available in your market.



Dimensions and connectivity



- * Analog RGB and digital DVI-I input and output
- * Mirror directly to a projector or another display

Specifications

Display	Screen size	15.6" (344.232 x 193.536 mm) active matrix TFT LCD
	Resolution	1366 x 768 (WXGA)
	Aspect ratio	16:9
	Pixel pitch	0.252 (H) x 0.252 (V) mm
	Colors	16.77M colors
	Response time	8 ms
	Luminance	255 cd/m2
	Contrast ratio	400:1 (typical)
	Viewing angle	90° / 65°(typical)
	Video input	Analog (RGB) / digital (DVI-I)
	Input connector	DVI-I 29 pin
	Video output	Analog (RGB) / digital (DVI-I)
Video connector	DVI-I 29 pin	
OSD manual control	Brightness, Contrast, Pitch, Phase, Vertical Position, Transparency, Auto Adjust, Horizontal position, Language, Back Light, Menu Position, Reset, Scaling, Color temperature (9300K/6500K/5000K/Custom/User/Direct)	
Plug and play	VESA DDC 2B, DDC/CI	
Tablet	Technology	Electromagnetic resonance technology (EMR)
	Active area	344.232 mm x 193.536 mm
	Resolution	0.01 mm/point
	Accuracy	± 0.5 mm (center)
	Reading height	5 mm
	Pressure levels	512 levels
	Interface	USB (2-port USB hub built-in)
Report rate	133 points/second	
Stand adjustability	19° ~ 72°	
Temperature, humidity	5° to 35° C, Humidity: 20% to 80% RH (non-condensing)	
Input voltage	100 to 240 VAC, 50/60 Hz	
Power consumption	29W (Max), 2W or less in sleep mode, 1W or less in off mode	
Dimensions	420 x 283 x 49.0 mm excluding stand	
Weight	4.3 Kg (9.5 lbs)	
Certifications	VCCI Class B, FCC Part15 Subpart B (class B) and C, CE, KCC, BSMI, C-tick, CB, CCC, GOST-R, China RoHS, Korean RoHS, EU RoHS	
System requirements	Windows 7 / Vista / XP / 2000, Mac OS X 10.4 or later	

Package contents

Model Number	Contents
DTU-1631/G0-C	DTU-1631 main unit, battery-free pen, 5 spare pen nibs, driver and bundled software CDs, AC adapter, 2 power cables, 1 adapter plug, USB cable, 2 video cables

